



**APPLICATION**

The Voyager 2 Francis LED searchlight range continues to develop and offers an Efficiently and Environmentally Friendly alternative to traditional lamp sources. Using the highest grade of CREE LED, this range offers a high power output with low power consumption. In addition, the CREE XLamp Series offer a lamp life of 33,000 hours

Francis Searchlights have developed and improved all remote controlled searchlights across the range still further by adding full variable speed, a new modern and sleek joystick control panel, using membrane and LED technology, offering Bus Control, auto home position setting, all at no extra cost, with Optional Controls available on request.

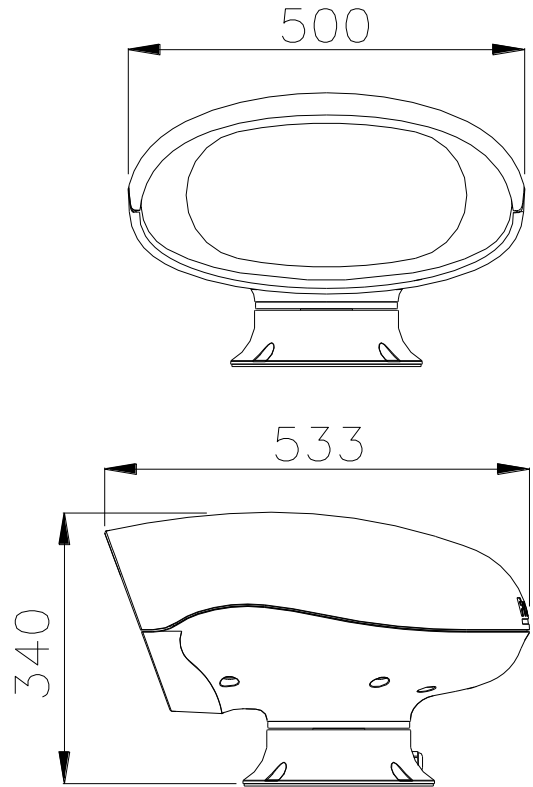
The Francis bus (FBUS) is a custom communication protocol based on RS485 two-wire bi directional communication hardware. The system provides a simple bi directional link between searchlights and control panels.

As with all Francis products, the construction is robust and of the highest quality of construction. Utilizing excellent thermal management of the LED chip ensures successful performance and chip life.

The 150w LED gives illumination characteristics similar to that of a 1000w halogen lamp.

**SPECIFICATION**

- 33,000 lamp life hours.
- Toughened super clear Optiwhite front glass.
- Aluminum reflectors
- Constructed from marine grade materials and fixings.
- Powder coated and stove enamel paint finish.
- Optional colours available.
- Pan rotation 350°.
- Tilt elevation control ±20°.
- Variable speed LED joystick, with auto home position.
- RS485 connectivity. Dimmable Control Panel.
- Variable Rotation Speed 1 to 20°/sec (Pan).
- Variable Elevation Speed 1 to 3.5°/sec (Tilt).
- Heater fitted in barrel.
- Operational temp -50°.
- Up to 18,880 Lumens.
- Colour Temp options 6500k.
- High quality control gear 50/60 Hz 1ph.
- Sealing IP66 Searchlight, PSU IP66.
- Searchlight weight 17kgs, PSU weight 4kgs.
- Fixed Focus.



**ALL DIMENSIONS IN MILLIMETRES**

Base fixing details:  
4 holes 8.2 Ø equi-spaced on a 220mm PCD  
Joystick panel 120 x 120mm (106 x 106mm cutout)

PSU dimensions: 299 x 302 x 133mm

Part Numbers			
Type	Supply	Watts	Part No
VL500RC	115/230v	150w	A7193

**Optional Controls:**

- Program Record Function
- Computer Control Software
- Azimuth LED Control Panel
- Master Control Panel (control up to 10 Searchlights)
- Slave Control Panels (with full control)
- Fiber Optic/TCP/IP Connections

VAC	LED life	Range @ 1 Lux	Luminous Flux	Div	Watts
115/230v	33,000 hrs	1068m @ 8°Div	18,880	8°	150w