



APPLICATION

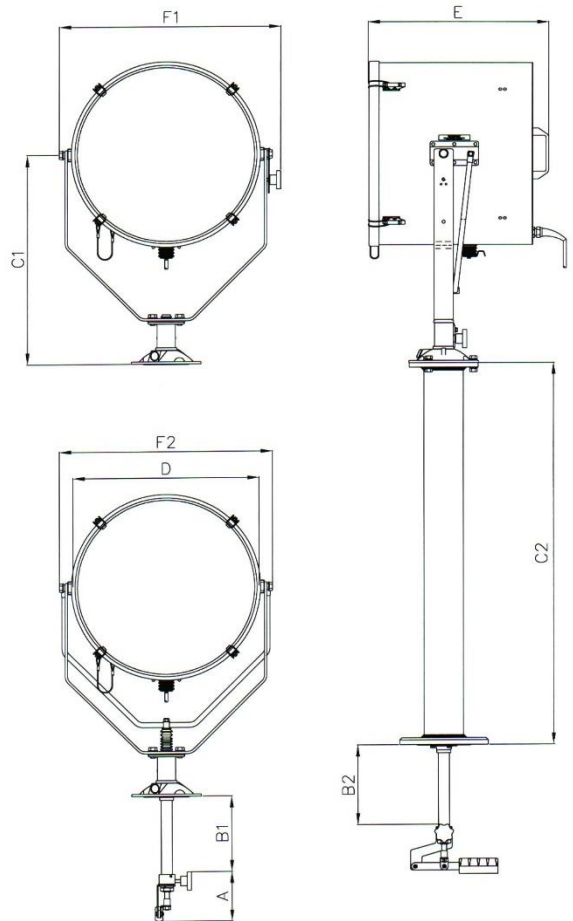
The new Francis LED searchlight range continues to develop and offers an Efficiently and Environmentally Friendly alternative to traditional lamp sources.

Using the highest grade of LED, this range offers a high power output with low power consumption. The 200w LED gives illumination characteristics similar to that of a 2Kw halogen lamp. This model offers a focus adjustment of the beam from 7° spot to 20° flood.

As with all Francis products, the construction is robust and of the highest quality of construction. Utilizing excellent thermal management of the LED chip ensures successful performance and chip life.

SPECIFICATION

- 33,000 LED chip life hours.
- Toughened super clear Optiwhite front glass.
- Parabolic glass reflector
- Constructed from marine grade materials and fixings.
- Powder coated and stove enamel paint finish.
- Pan rotation 450°.
- Deck/Deck Ped Tilt elevation control +40° to -40°.
- Cabin/Cabin Ped Tilt elevation control +30° to -25°
- Heater optional in barrel.
- Operational temp -50°.
- Up to 27,800 Lumens.
- Colour Temp options 6500k.
- High quality control gear 50/60 Hz 1ph.
- Sealing - IP66 Searchlight, PSU IP66.
- Modular design allowing customer to modify configuration.
- Searchlight weight 20kgs, PSU weight 3kgs.
- Pedestal 5Kgs, Cabin control assy 2.8Kgs, Cabin Pedestal assy 3.8Kgs
- Special B1/2 & C2 dimensions available on request.



ALL DIMENSIONS IN MILLIMETRES

Base fixing details:
Deck & Cabin 3 holes Ø11.0 equi-spaced on a 154 PCD
Deck Ped & Cabin Ped 4 holes Ø12.5 equi-spaced on a 190 PCD,
Cabin & Cabin Ped Central Hole Ø75

PSU dimensions: 254 x 180 x 90mm

Part Numbers	Supply	Watts	Part No
Type			
L480D 200w	115/230v	200w	A6220
Cabin Control Assy			C28462-01
Pedestal Deck			C20719-39
Cabin Pedestal Assy			C28463-01

Dimensions

A	B1	B2	C1	C2	D	E	F1	F2
130	199	211	550	1004	480	465	571	550

VAC	LED life	Range @ 1 Lux	Luminous Flux	Div	Watts
115/230v	33,000 hrs	1546m @ 7°Div	27,800	7-20°	200w