

Rev	CO	Sign	Date	Description / Change
A	-	SJ	29.05.2019	First release
Revision History				

Material/Mass:		This drawing is property of Jotron AS and must not be duplicated or used for manufacturing of any parts disclosed herein without permission from Jotron AS.		
General tolerance	Roughness Ra:			
Part Name:				
Tron TR30 AIR		Size: A3	Scale: 1:2	Sheet: 1/2
		Part No: 101700	Rev: A	

A

B

C

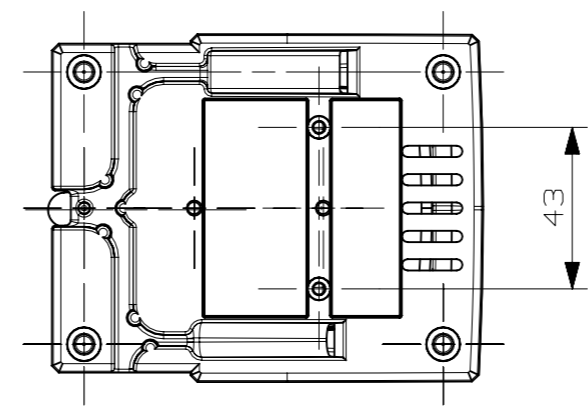
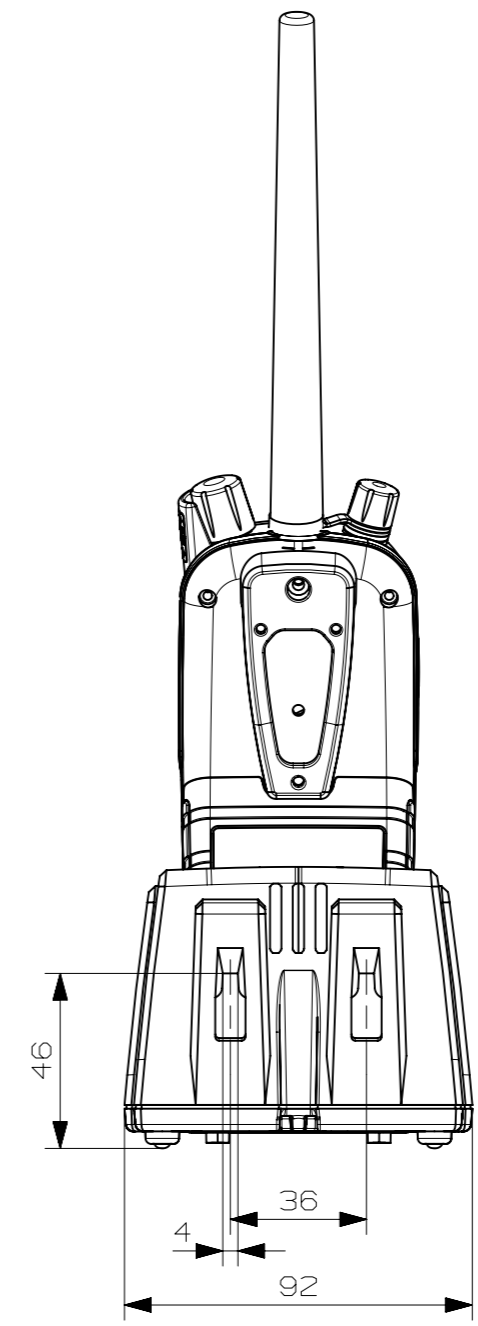
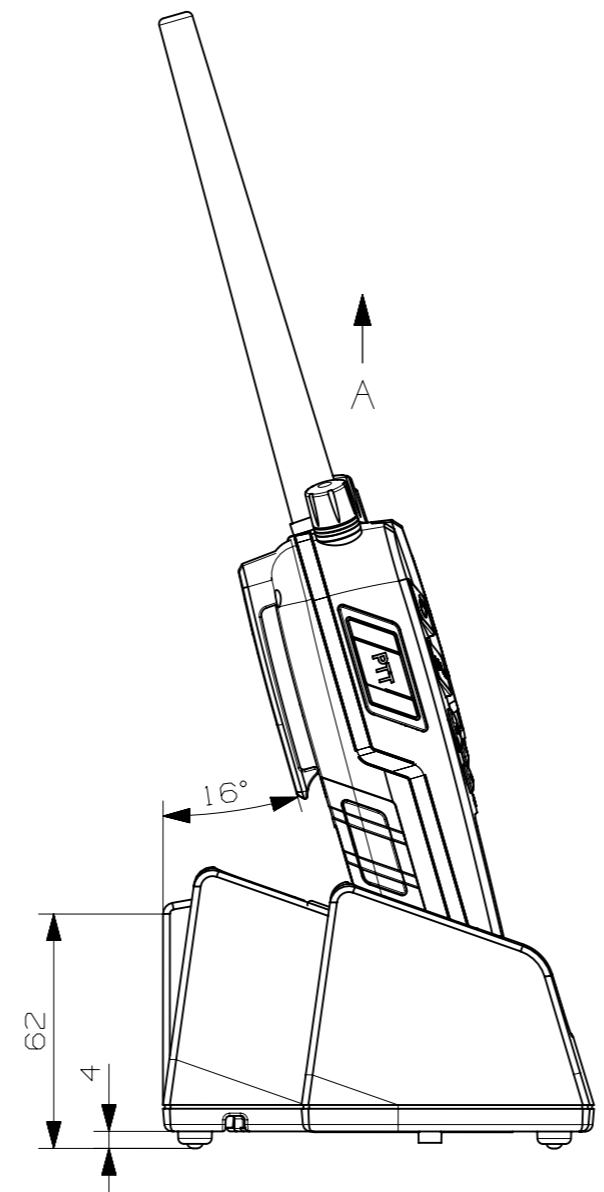
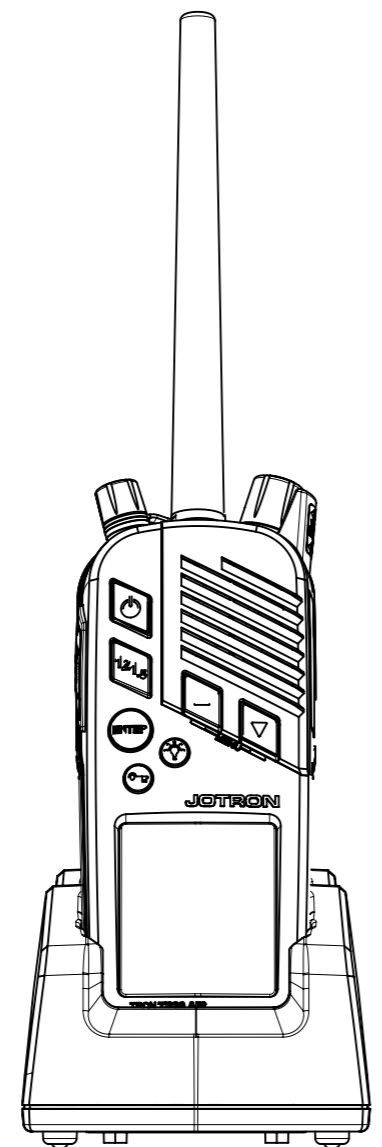
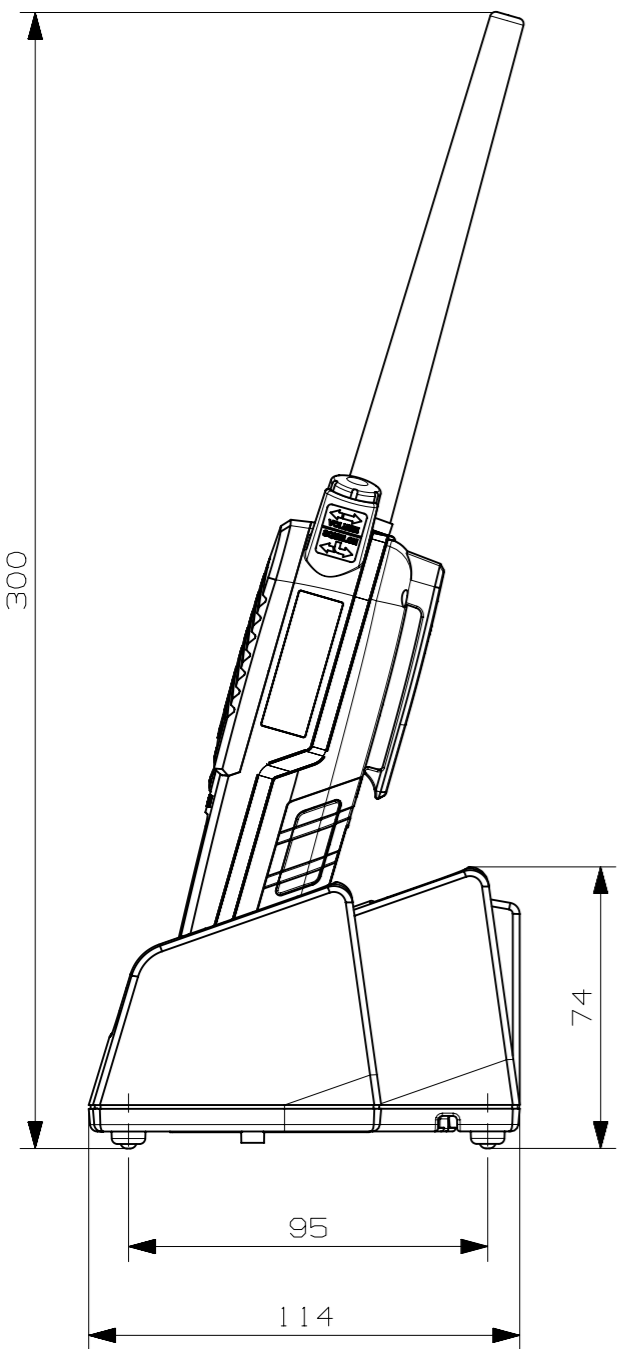
D

A

B

C

D



VIEW A

Material/Mass:		This drawing is property of Jotron AS and must not be duplicated or used for manufacturing of any parts disclosed herein without permission from Jotron AS.		
General tolerance		Roughness Ra:		
Part Name:				
<b>Tron TR30 AIR with RH-30 Holder</b>				
Size:	Scale:	Sheet:		
A3	1:2	2/2		
Part No:				Rev:
101700				A