

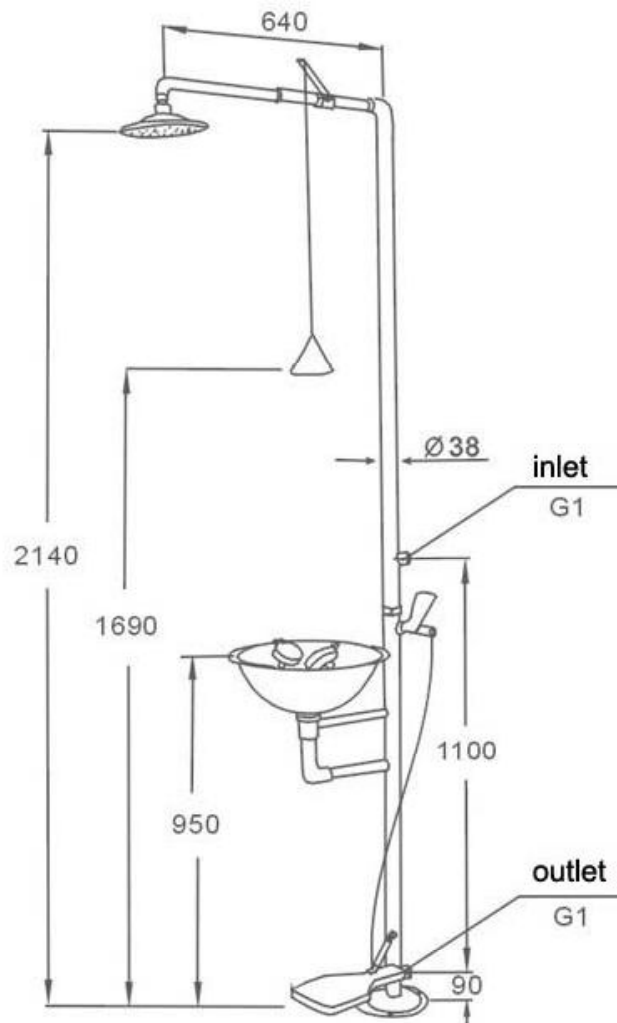
Emergency Eye Wash & Shower (Datasheet & Manual)

Model : WJH0858



Drawing of stainless steel emergency eye wash & shower

Unit: mm



WJH0858

WJH0858 packing list

Please check the fittings according to the table below. If there is damage or the quantity is not correct please contact the distributor in your area or contact our company directly, you will get prompt response.

NO.	Name	Quantity
1	Sprayers Head	1set
2	Sprayer Head Pipeline	1set
3	Shower handle	1set
4	Up Part	1set
5	Eye Wash Sprayer Head	1set
6	Eye Wash Bowl	1PC
7	Eye wash Push board	1set
8	Down Part	1set
9	Eye wash switch Foot treadle	1set
10	Foot treadle chain	1PC
11	Pedestal	1PC
12	Spare parts	1 bag

Emergency eye wash & shower instruction

*Usage

This unit is not only the essential equipment of labor protection, but also the essential facilities against poisonous and corrosive material. If accidents happen, reduce the damage to the minimum degree by quickly spraying or washing the hurt.

*Main function parameters

Pressure			Flux L/Min		Temperature
Nominal pressure	Seal pressure	Working pressure	Body shower	Eye wash	Tepid water
0.4	0.45	0.20-0.40	≥75.5	≥11.4	

Choosing these data is considering the hurt to the skin, eye(s), when accidents happen.

*Structure

1. Epoxy coating.
2. SS ball valve and screw seal controlled shower and eye wash separately.
3. Set the seepage hole in the pipe of eye wash that can drain off the residual water, which clean pipe to prevent rust.

***Main material:** SUS304 stainless steel

***Installation and maintenance**

1. You should check the type of products, certificate of approval, instruction and the packing list for another time.

2. The location of the emergency equipment should be installed within 10 seconds walking time or 15 meters from the hazard.

3. Installation and maintenance:

A. connects the T-piece stainless steel pipe of outlet, inlet, body shower pipe, then connect with the bracket.

B. fix the shower handles and shower head on the stainless steel pipe.

C. connects the eye wash bowl with body stainless steel pipe.

D. install the eye wash shower into the pipe through eye wash bowl.

E. install the push board and foot treadle.

F. chooses the right place to connect the pipe of water inlet and fix the bracket tightly.

G. The adjust valve is in the middle of the two sprayers which can adjust the flux. It may need to adjust because of the different pressure and flux; though we adjust it before delivering you. The method of adjust: unscrew the helmet, adjust the adjustive pole with screwdriver, and turn it clockwise, the flux will

be small, and turn it widdershins, the flux will be bigger.

***Method of application**

1. Pull the shower handle down, the body shower will work.
2. Please push the board clockwise, when you need eye washing, and the facility will work, pullback the push board wither shins, eye wash valve close.

***Maintenance**

1. Should using the facility above zero environments, and you should notice the pipeline antifreeze if used in the cold place.
2. Please clean the inlet pipeline before installation.
3. suggest to install the main valve in the inlet pipe, close the main valve first after using, and close the shower/eye wash valve when clear up the remain water.

***The fault and solutions**

No.	Conk out	Cause	Solution
1	The eye wash shower outlet flux is small	A the adjustment rob is overdo B the adjustment valve is blocked	A turn the rob anti-clockwise B wash the valve

2	The eye wash shower outlet flux is large	The adjustment knob is under-do	Turn the knob clockwise
3	The seep in the bowl is more	The outlet is blocked	Remove the foreign object