



## TECHNICAL DATA SHEET

# Lifebuoy Lights L170

Daniamant design and manufacture all of our products in line with the relevant worldwide approvals, technical specifications, current legislation and International directives.

Our mission is to achieve World class performance through partnerships with our suppliers, customers and employees, providing products and services that enhance the safety and security of our customers.

### Daniamant products cover 11 key areas:

- Lifejacket Lights
- Liferaft Lights
- Lifebuoy Lights
- Intrinsically Safe Lights
  - Special Lights
  - LED Flares
- Bridge Navigational Watch Alarm System (BNWAS)
  - Salinometers
  - Oil Level Alarm
  - Electronic Inclinator
- Agency for a range of world-renowned safety product brands (supplied to the Danish market)

### Further Information

For further information on our products, please see our website: [www.daniamant.com](http://www.daniamant.com)

MODEL	L170 Commercial	L170 Leisure
Part number	61-001A	61-002A
Colour – Light	Yellow	
Colour – Bracket	Black	
Bracket (as spare part) Part. No.	61-105	61-106
Light – Output	2 Candela minimum	
Light – Duration	2 hours min	
Light – Type	Flashing LED	
Material – Light	Polycarbonate	
Material – Bracket	Polypropylene	
Lanyard	Supplied with a 1.0 m long Lanyard	
Storage Temperature	-30° C to + 65° C	
Operating Temperature	-1° C to + 30° C	
Drop Height	76 metres	
Weight of Light – Nominal	91 grams	
Weight incl. Bracket – Nominal	128 grams	115 grams
Activation	Automatic via activation lead	
Approvals – Classification Societies	SOLAS/MED	
Approvals – Country	See our web site for full list of Country approvals	

## Transport Specification

Transport Regulations are subject to change. Please refer to the latest Product safety Data Sheet at [www.daniamant.com](http://www.daniamant.com) for details.

## Packing Specification

To minimize shipping costs, all Lifebuoy Lights are packed in boxes 50 off.

### The dimensions are,

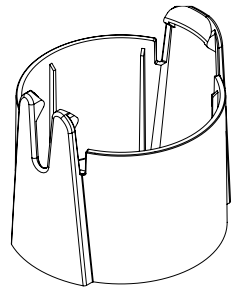
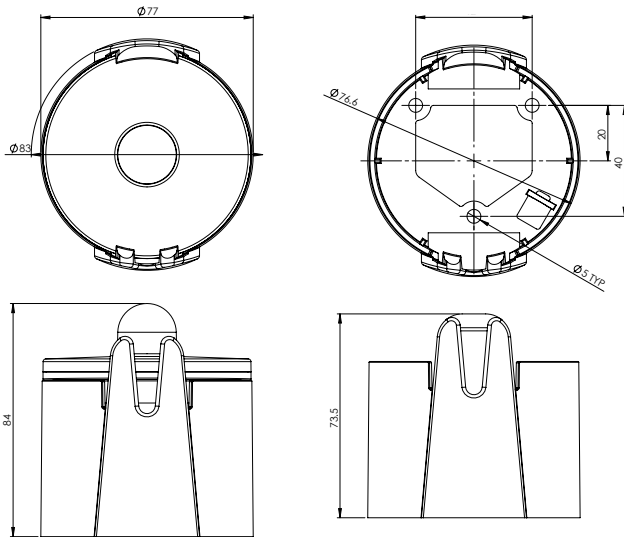
**L170 Commercial:**  
Box of 50 off: 50 x 40 x 30 cm  
**L170 Leisure:**  
Box of 50 off: 50 x 40 x 30 cm

### Approximate packed weights are,

**L170 Commercial:** 50 off at 8.0 kg.  
**L170 Leisure:** 50 off at 8.0 kg.

**Daniamant Ltd**  
 Unit 3, The Admiral Park  
 Airport Service Road  
 Portsmouth, PO3 5RQ  
 United Kingdom  
  
 Tel +44 23 92 67 51 00  
 Fax +44 23 92 67 51 01  
 sales@daniamant.com

**L170 Commercial**

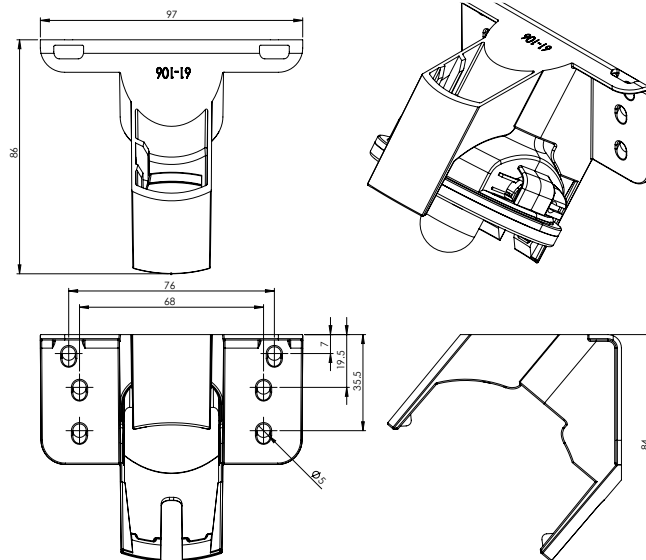


**Daniamant ApS**  
 Industrivej 24C  
 3550 Slangerup  
 Denmark  
  
 Tel +45 47 37 38 00  
 Fax +45 47 37 38 09  
 orders@daniamant.com

**Daniamant Electronics A/S**  
 Industrivej 24C  
 3550 Slangerup  
 Denmark

Tel +45 47 37 38 00  
 Fax +45 47 37 38 09  
 info@daniamant.com

**L170 Leisure**



**L170 Light only**

